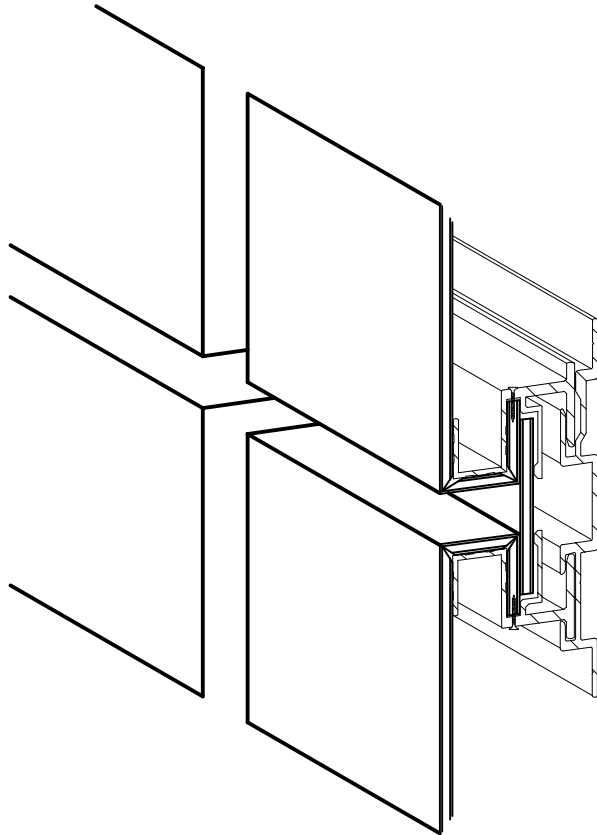


# Pacific Panel Systems

P.O. Box 2170  
Fairview, Or 97024  
office: 503-667-0650  
fax: 503-296-2441  
info@pacificpanelsystems.com

## P-200 PER Panel



### FEATURES/BENEFITS

- 6063 structural aluminum frame
- Floating clip system
- All exposed surfaces from same composite coiled coated material
- No exposed fasteners
- Little or no maintenance required

P-200 PER is a pressure equalized rain screen system that is manufactured with a 4mm composite panel, attached to a concealed extruded aluminum frame

### PANEL SYSTEM TESTED TO MEET

AAMA 501 Standards include

- ASTM E283 Air penetration
- ASTM E331 Water penetration
- ASTM E330 Structural performance
- AAMA 501.4 Seismic movement
- AAMA 508-07 Pressure equalization
- ASTM E1233-06 Structural performance

### 4MM COMPOSITE PANELS

- Polyethylene or Fire Rated core
- Pre-finished or anodized aluminum
- Copper
- Stainless Steel
- Zinc
- Other materials upon request

### SIZES

- Maximum panel size 4' 10" x 16'
- Optimum panel widths 58", 27", 16"
- Optimum panel lengths 192", 94", 61", 45"

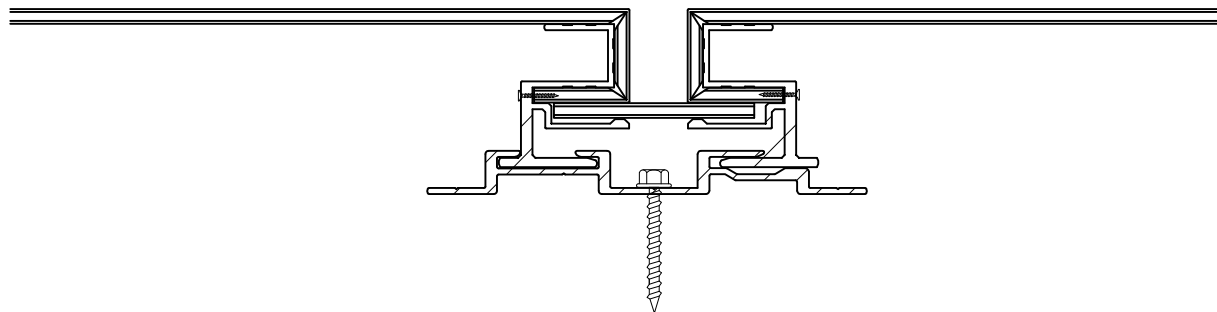
### WEIGHT

4mm composite panel with extrusions attached, average weight of 2.5 psf

### LEED

Possibly contribute to the following LEED credits

- ID 1.1-1.4- Highly durable or innovative finishes
- MR 4- Recycled content
- MR 5- Regional manufacturing
- NC 2- New Construction Waste Management



# Pacific Panel Systems

P.O. Box 2170

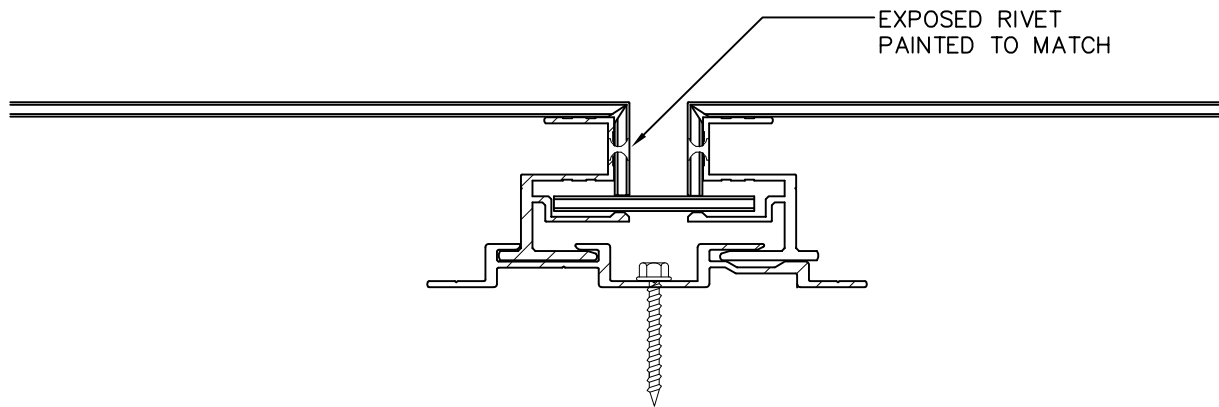
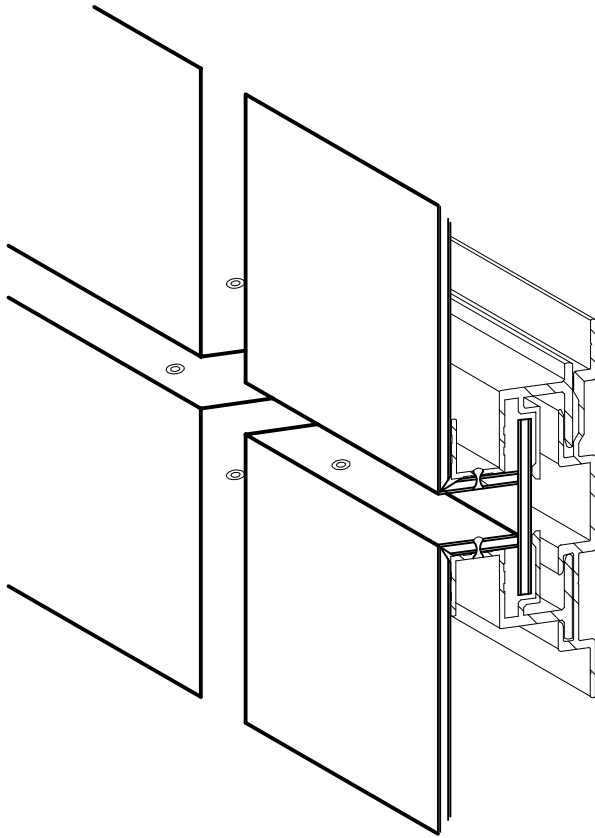
Fairview, Or 97024

office: 503-667-0650

fax: 503-296-2441

info@pacificpanelsystems.com

## P-200 PER Panel E ALTERNATE COST SAVING JOINT



# Pacific Panel Systems

P.O. Box 2170  
Fairview, Or 97024  
office: 503-667-0650  
fax: 503-296-2441  
info@pacificpanelsystems.com

D-A

**P-200 PER**

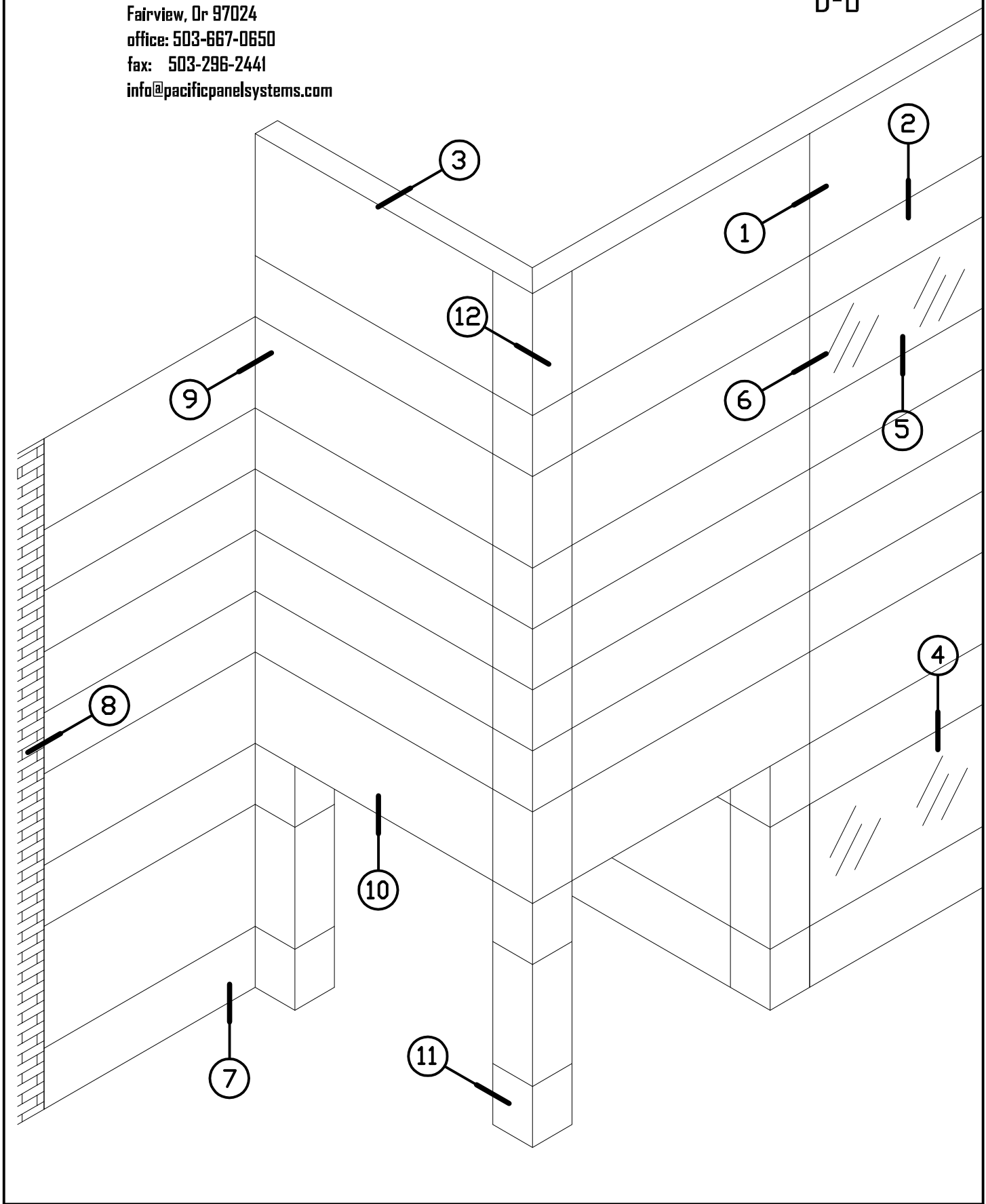
**THESE DETAILS ARE FOR BASIC DESIGNS CONCEPTS ONLY**

<b>D-A</b>	<b>TABLE OF CONTENTS</b>
<b>D-B</b>	<b>REFERENCE ELEVATION</b>
<b>D-1</b>	<b>TYPICAL VERTICAL JOINT/REVEAL</b>
<b>D-2</b>	<b>TYPICAL HORIZONTAL JOINT/REVEAL</b>
<b>D-3</b>	<b>TYPICAL PARAPET</b>
<b>D-4</b>	<b>TYPICAL WINDOW HEAD</b>
<b>D-5</b>	<b>TYPICAL WINDOW SILL</b>
<b>D-6</b>	<b>TYPICAL WINDOW JAMBS</b>
<b>D-7</b>	<b>TYPICAL BASE</b>
<b>D-8</b>	<b>TYPICAL END WALL</b>
<b>D-9</b>	<b>TYPICAL INSIDE CORNER</b>
<b>D-10</b>	<b>TYPICAL SOFFIT</b>
<b>D-11</b>	<b>TYPICAL RECTANGULAR COLUMN COVER</b>
<b>D-12</b>	<b>TYPICAL OUTSIDE CORNER</b>
<b>D-13</b>	<b>TYPICAL PANEL ASSEMBLY</b>
<b>D-14</b>	<b>PANEL COMPONENTS</b>

# Pacific Panel Systems

P.O. Box 2170  
Fairview, Or 97024  
office: 503-667-0650  
fax: 503-296-2441  
info@pacificpanelsystems.com

D-B



# Pacific Panel Systems

P.O. Box 2170

Fairview, Or 97024

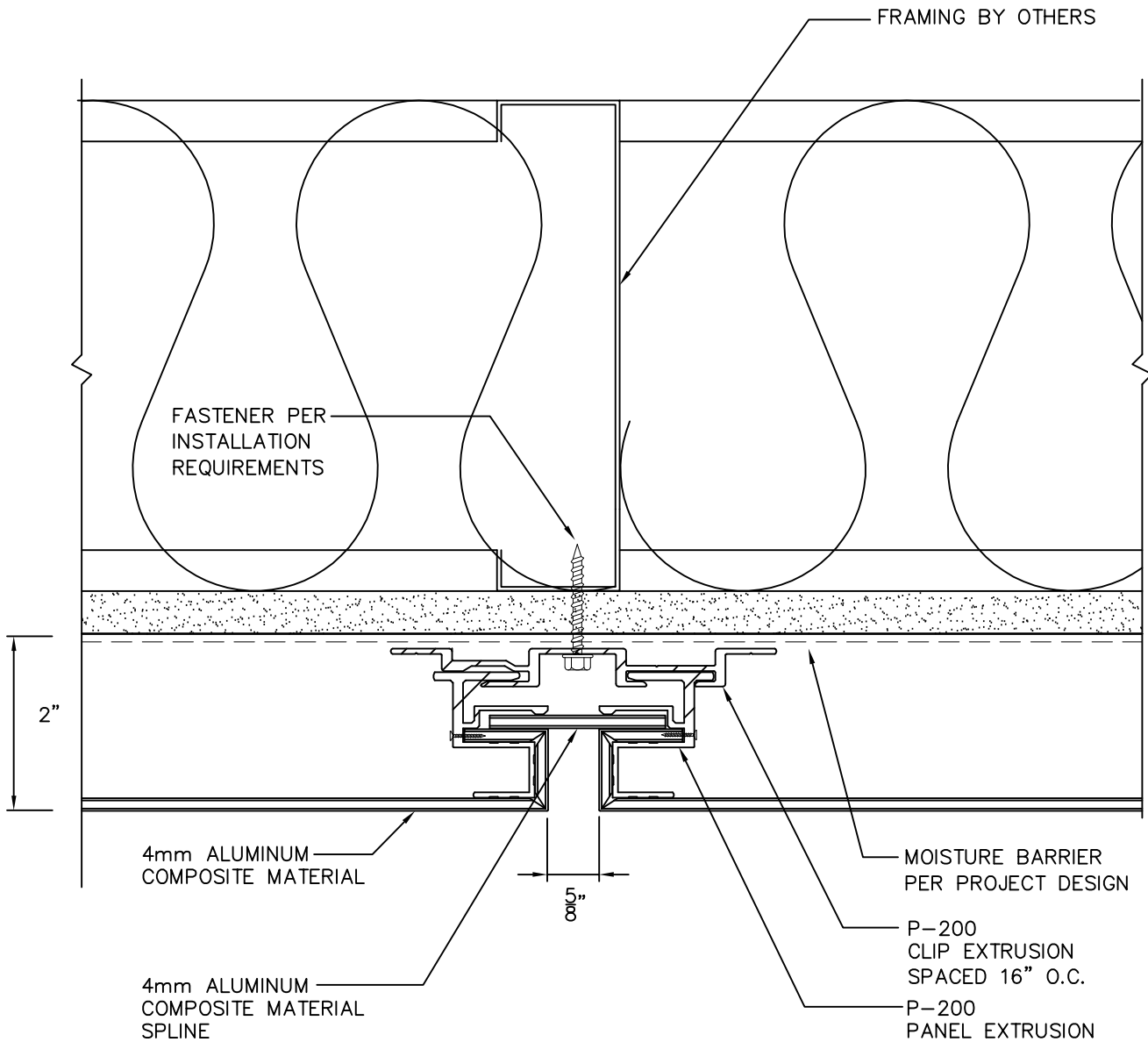
office: 503-667-0650

fax: 503-296-2441

info@pacificpanelsystems.com

D-1

## VERTICAL JOINT/REVEAL

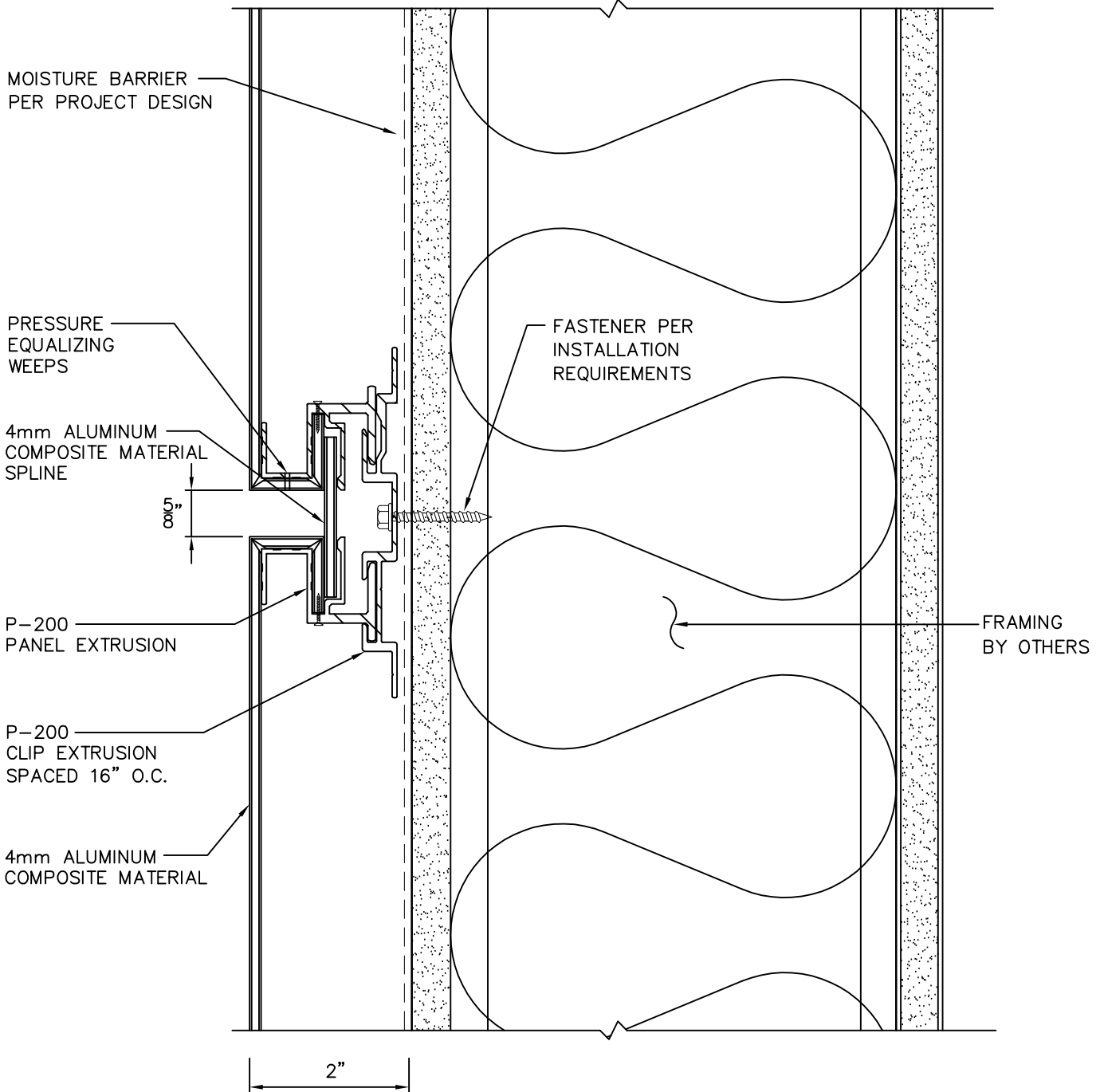


# Pacific Panel Systems

P.O. Box 2170  
Fairview, Or 97024  
office: 503-667-0650  
fax: 503-296-2441  
info@pacificpanelsystems.com

D-2

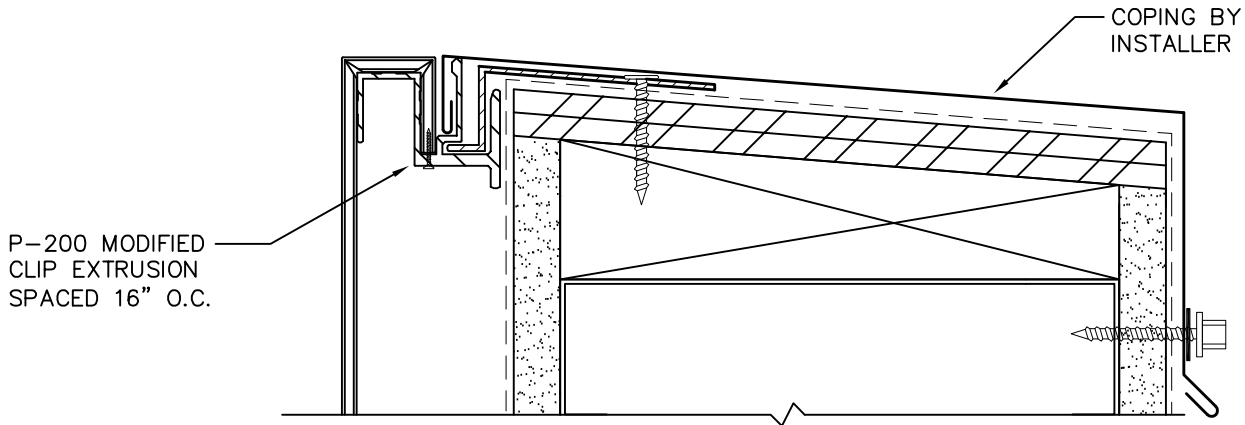
## HORIZONTAL JOINT/REVEAL



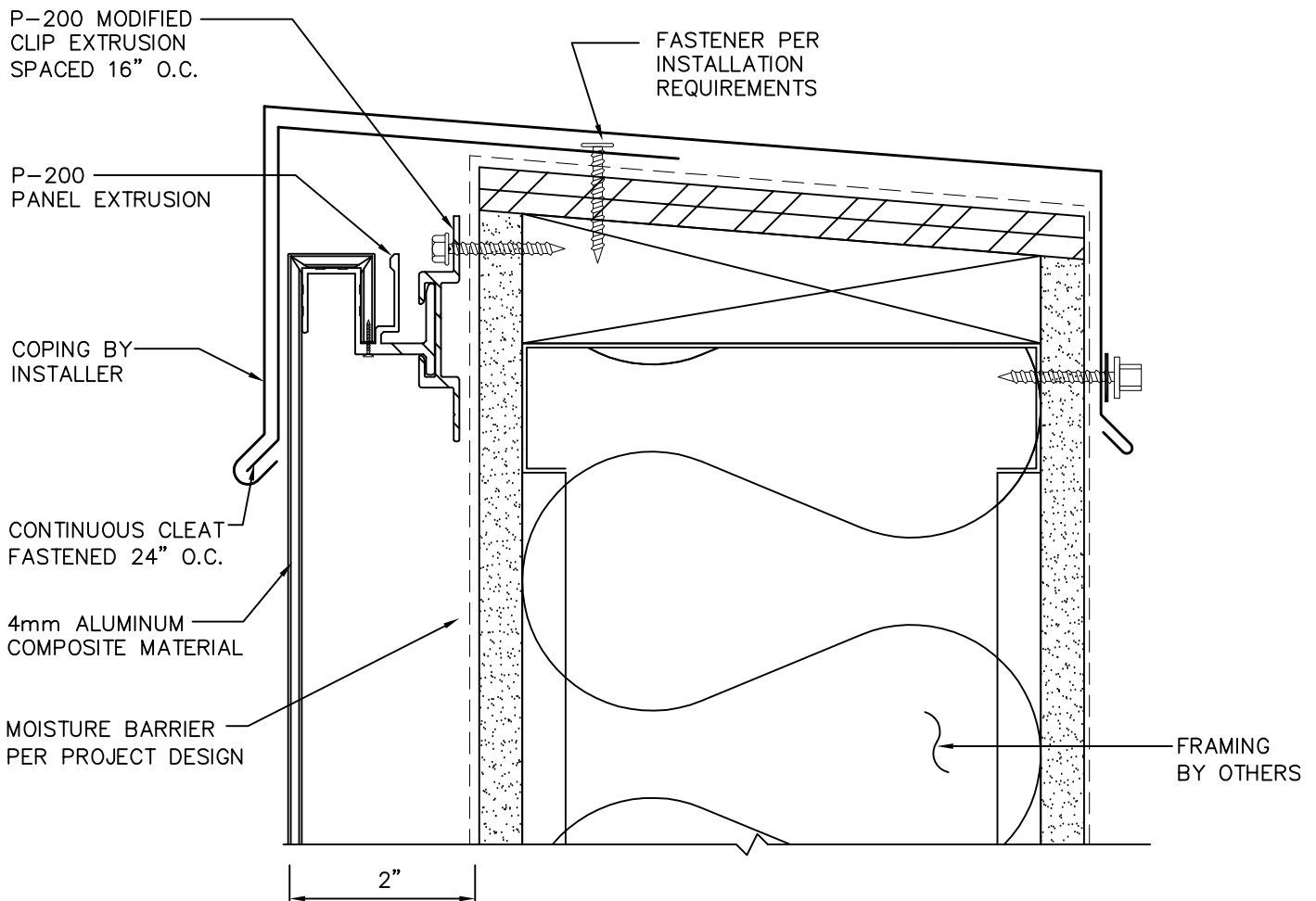
# Pacific Panel Systems

P.O. Box 2170  
Fairview, Or 97024  
office: 503-667-0650  
fax: 503-296-2441  
info@pacificpanelsystems.com

D-3  
PARAPET



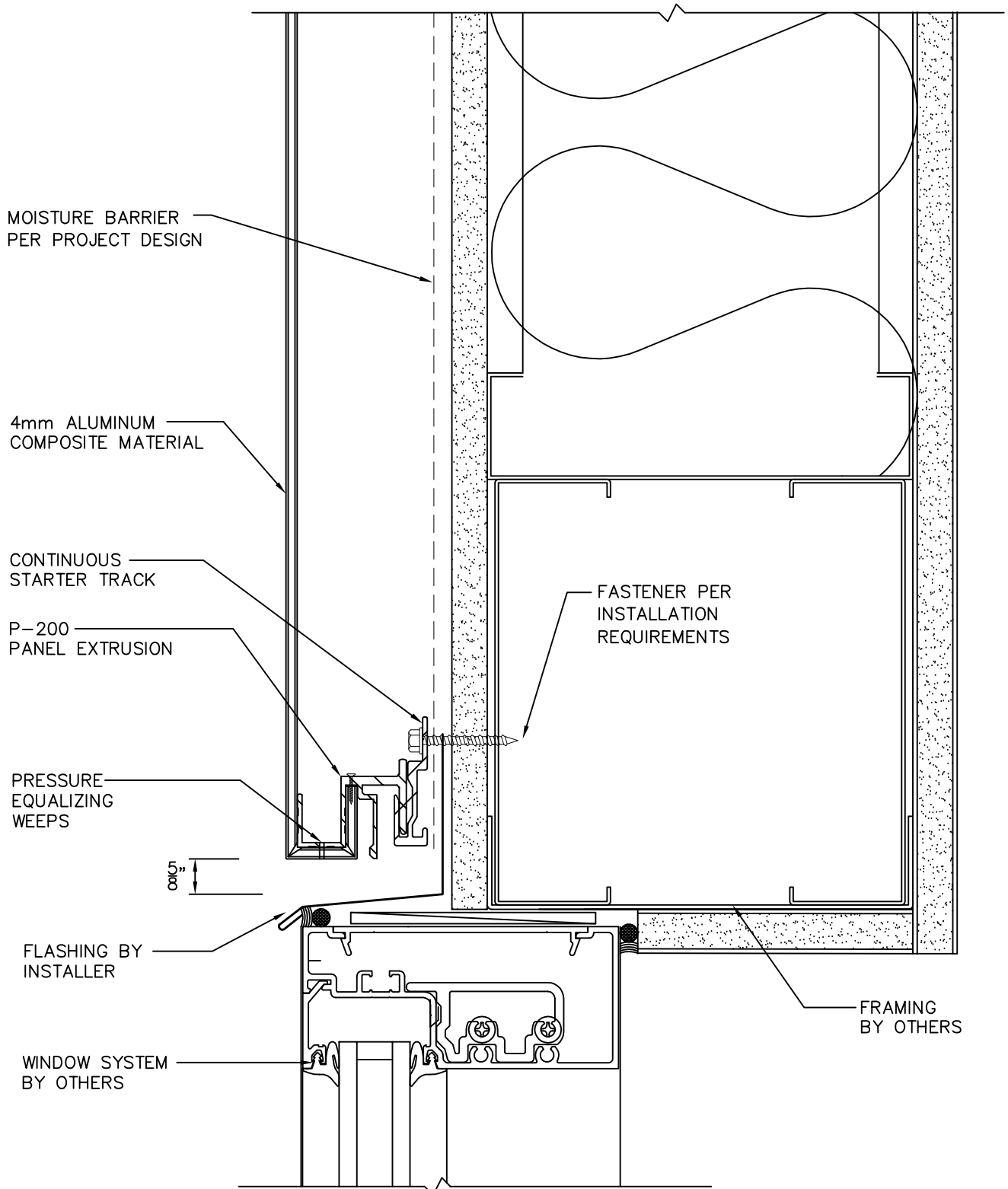
## ALTERNATE PARAPET



# Pacific Panel Systems

P.O. Box 2170  
Fairview, Or 97024  
office: 503-667-0650  
fax: 503-296-2441  
info@pacificpanelsystems.com

D-4  
WINDOW HEAD



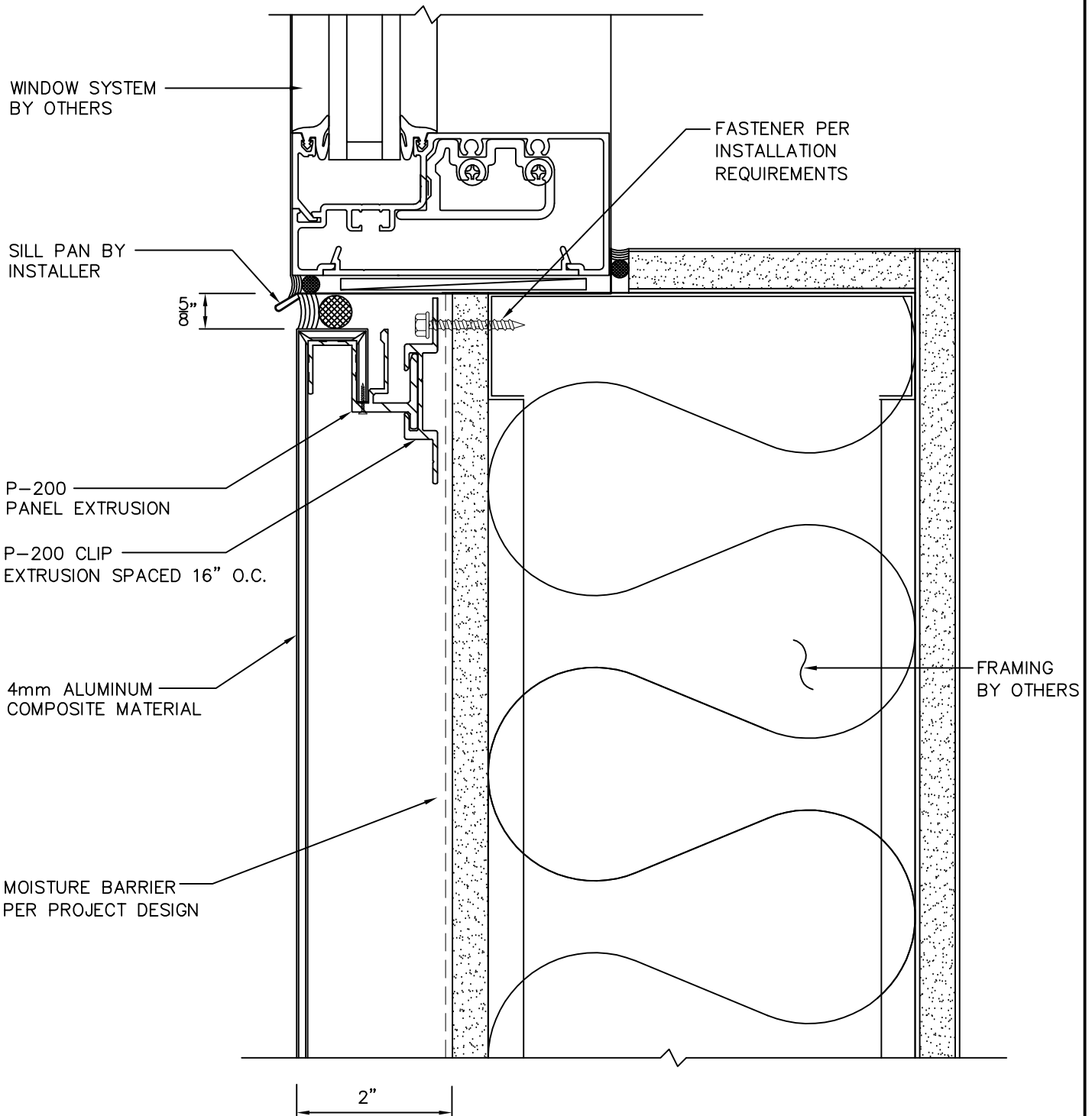


# Pacific Panel Systems

P.O. Box 2170  
Fairview, Or 97024  
office: 503-667-0650  
fax: 503-296-2441  
info@pacificpanelsystems.com

D-5

WINDOW SILL

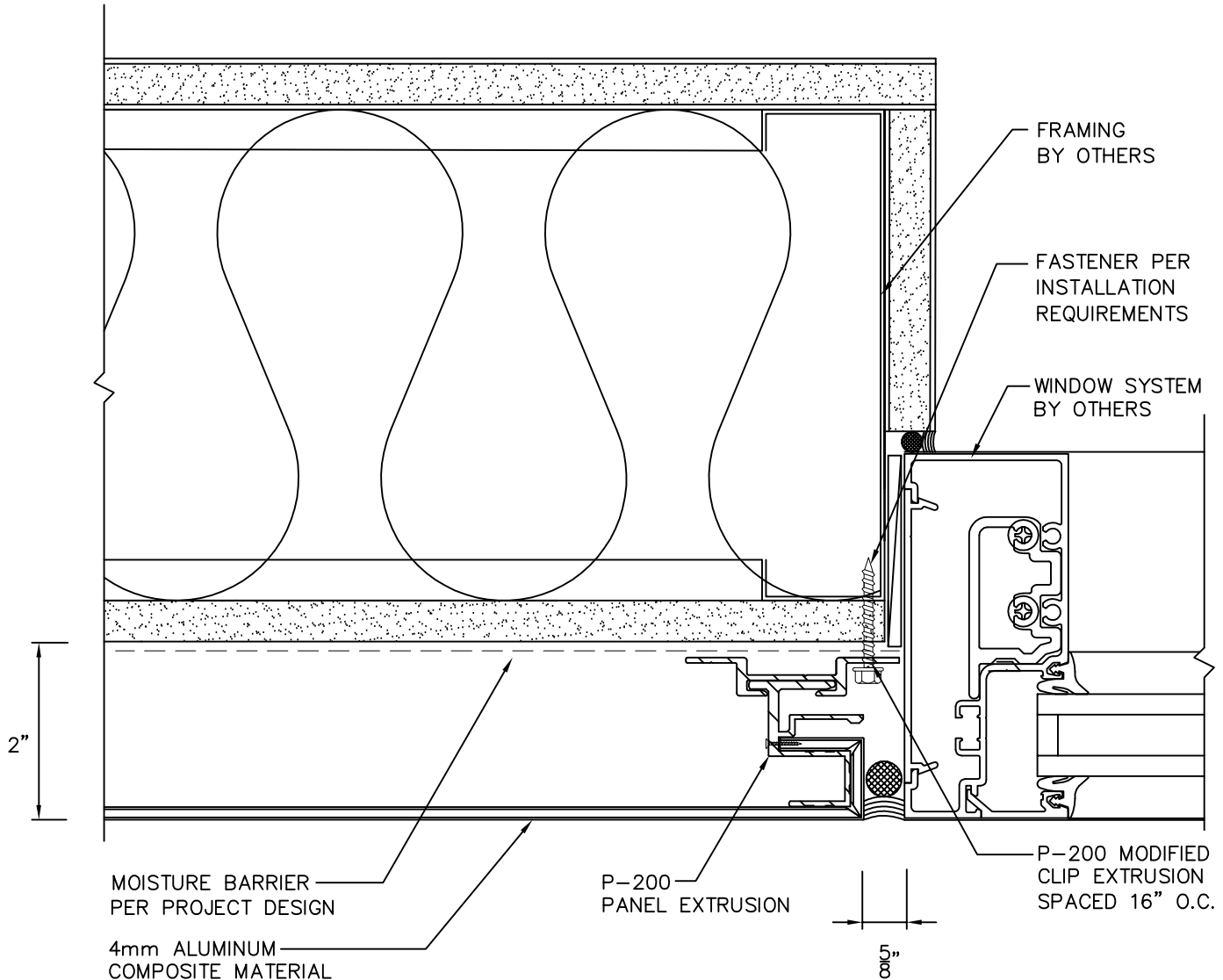


# Pacific Panel Systems

P.O. Box 2170  
Fairview, Or 97024  
office: 503-667-0650  
fax: 503-296-2441  
info@pacificpanelsystems.com

D-6

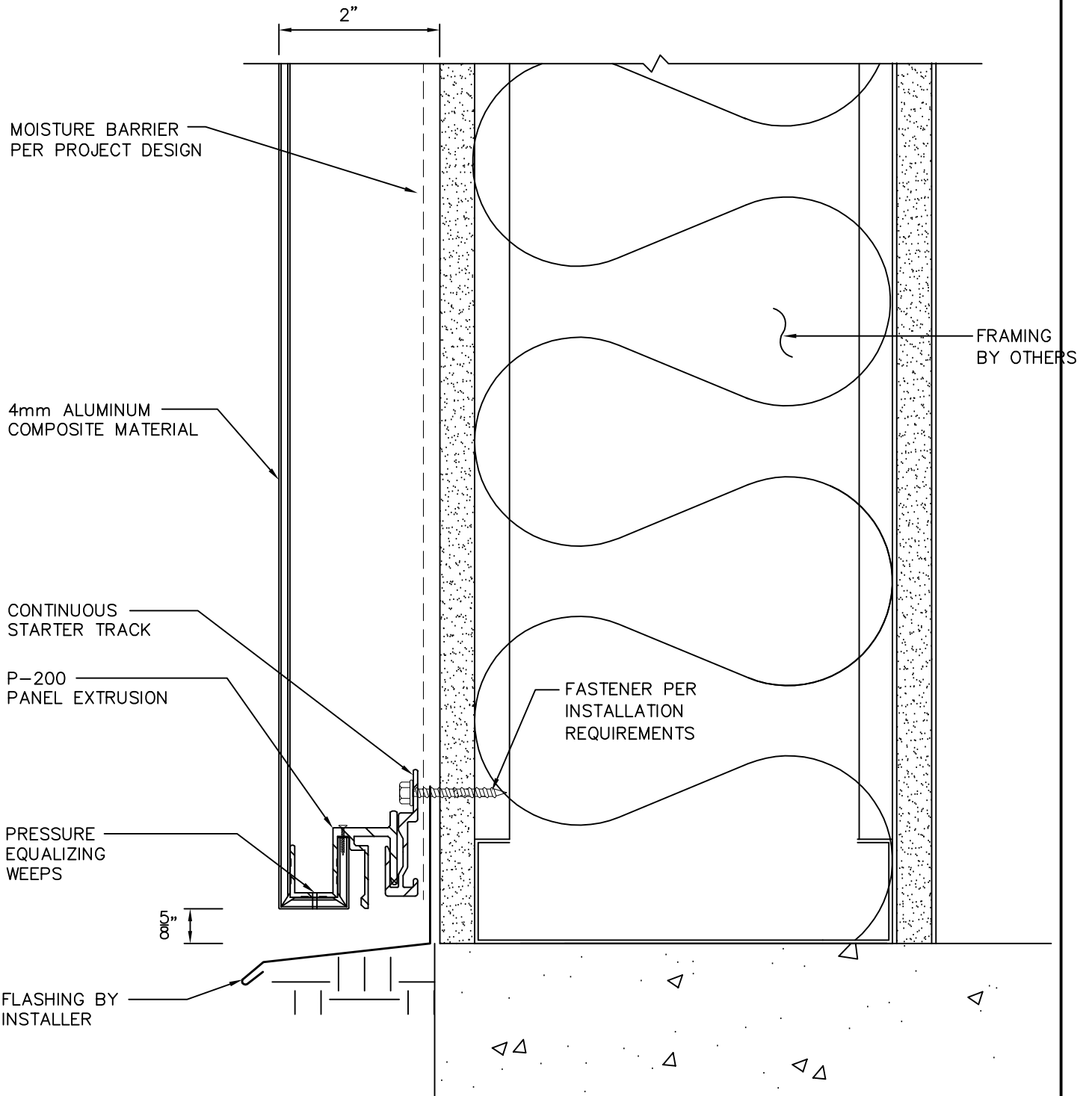
## WINDOW JAMB



# Pacific Panel Systems

P.O. Box 2170  
Fairview, Or 97024  
office: 503-667-0650  
fax: 503-296-2441  
info@pacificpanelsystems.com

D-7  
BASE

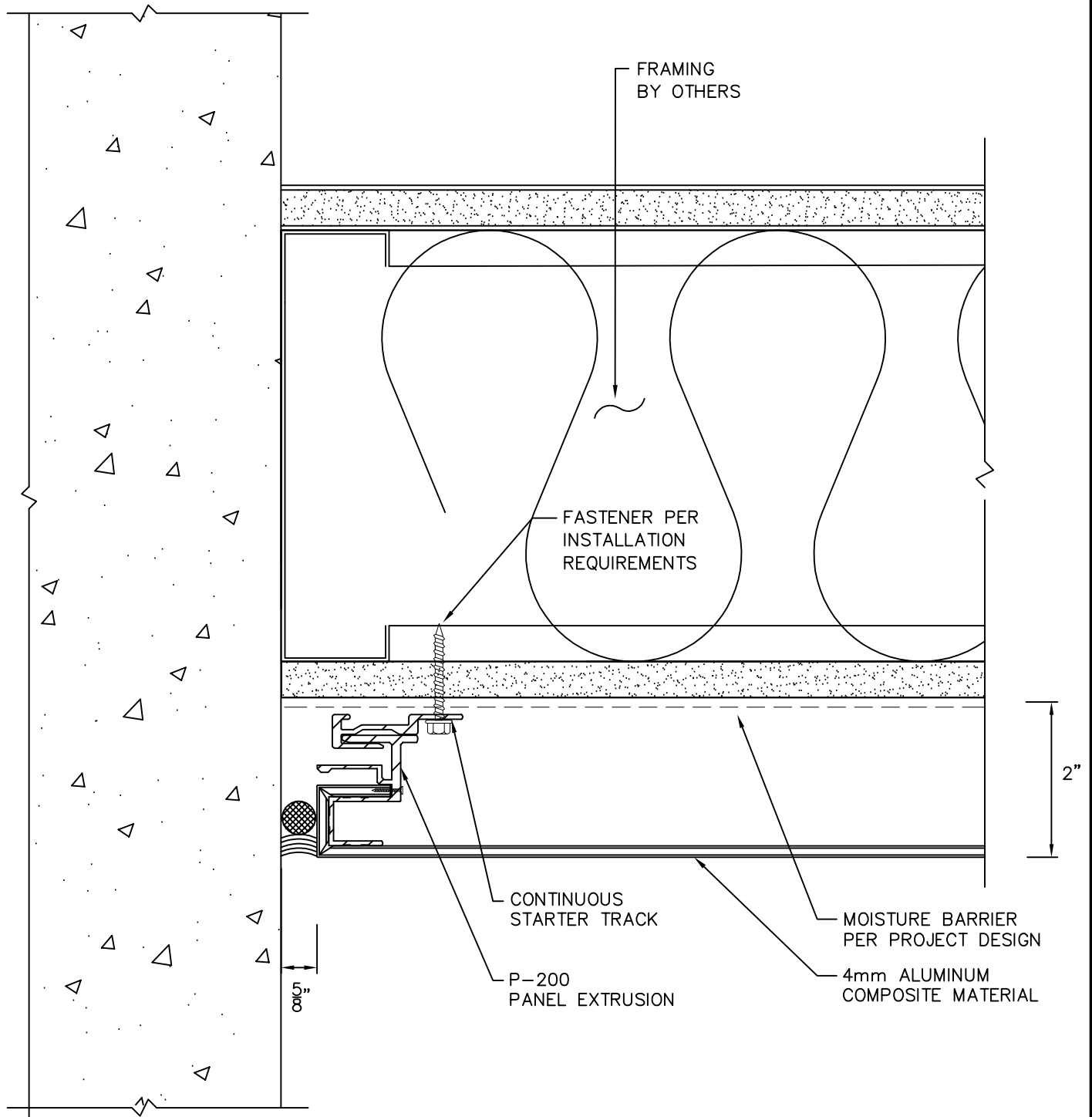


# Pacific Panel Systems

P.O. Box 2170  
Fairview, Or 97024  
office: 503-667-0650  
fax: 503-296-2441  
info@pacificpanelsystems.com

D-8

END WALL



# Pacific Panel Systems

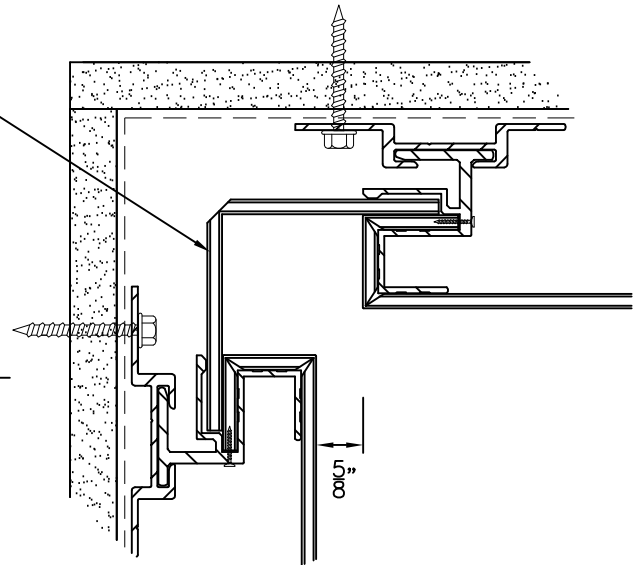
P.O. Box 2170  
Fairview, Or 97024  
office: 503-667-0650  
fax: 503-296-2441  
info@pacificpanelsystems.com

D-9

## INSIDE CORNER

4mm ALUMINUM  
COMPOSITE MATERIAL  
SPLINE

OPTION #2



FRAMING  
BY OTHERS

FASTENER PER  
INSTALLATION  
REQUIREMENTS

MOISTURE BARRIER  
PER PROJECT DESIGN

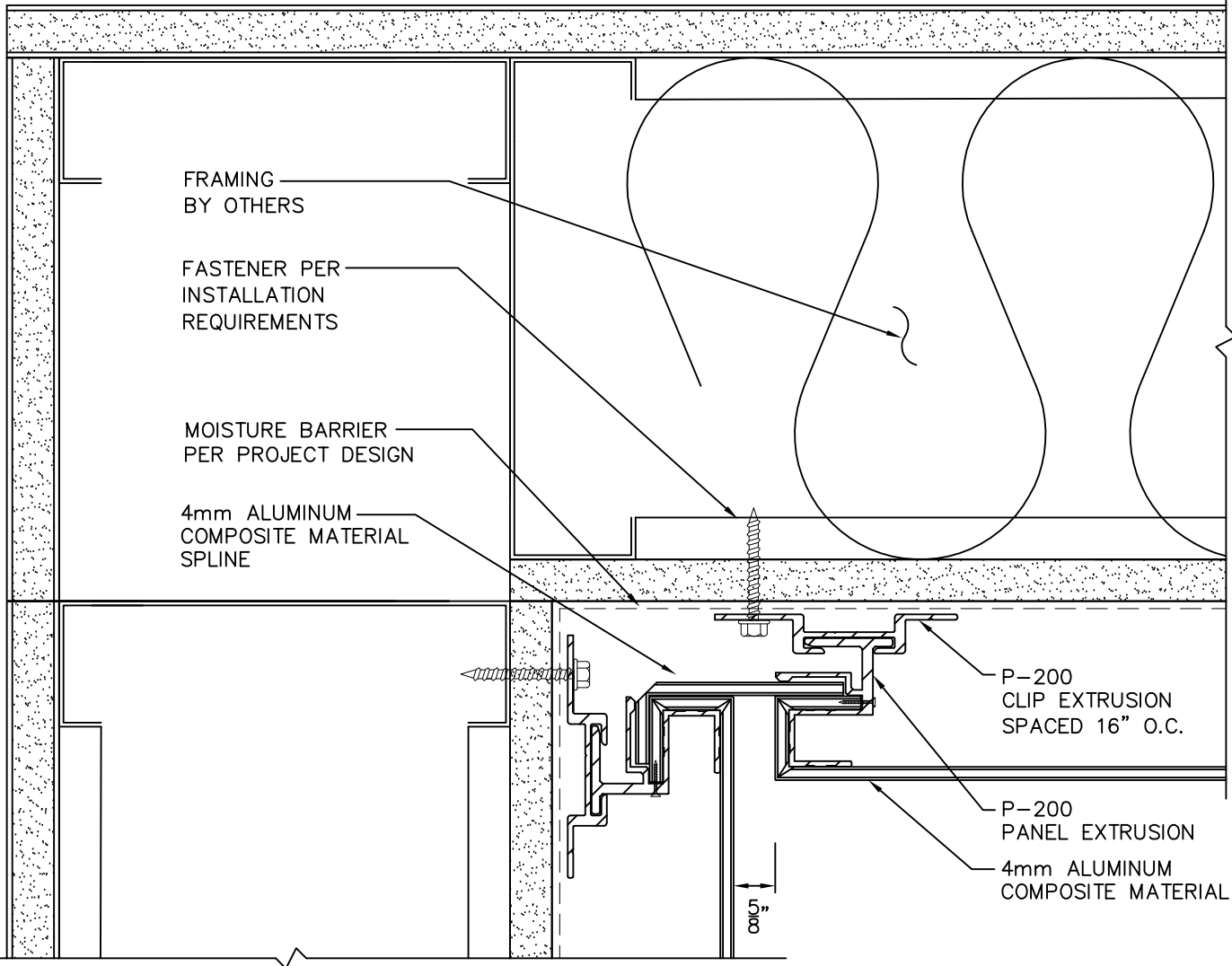
4mm ALUMINUM  
COMPOSITE MATERIAL  
SPLINE

P-200  
CLIP EXTRUSION  
SPACED 16" O.C.

P-200  
PANEL EXTRUSION

4mm ALUMINUM  
COMPOSITE MATERIAL

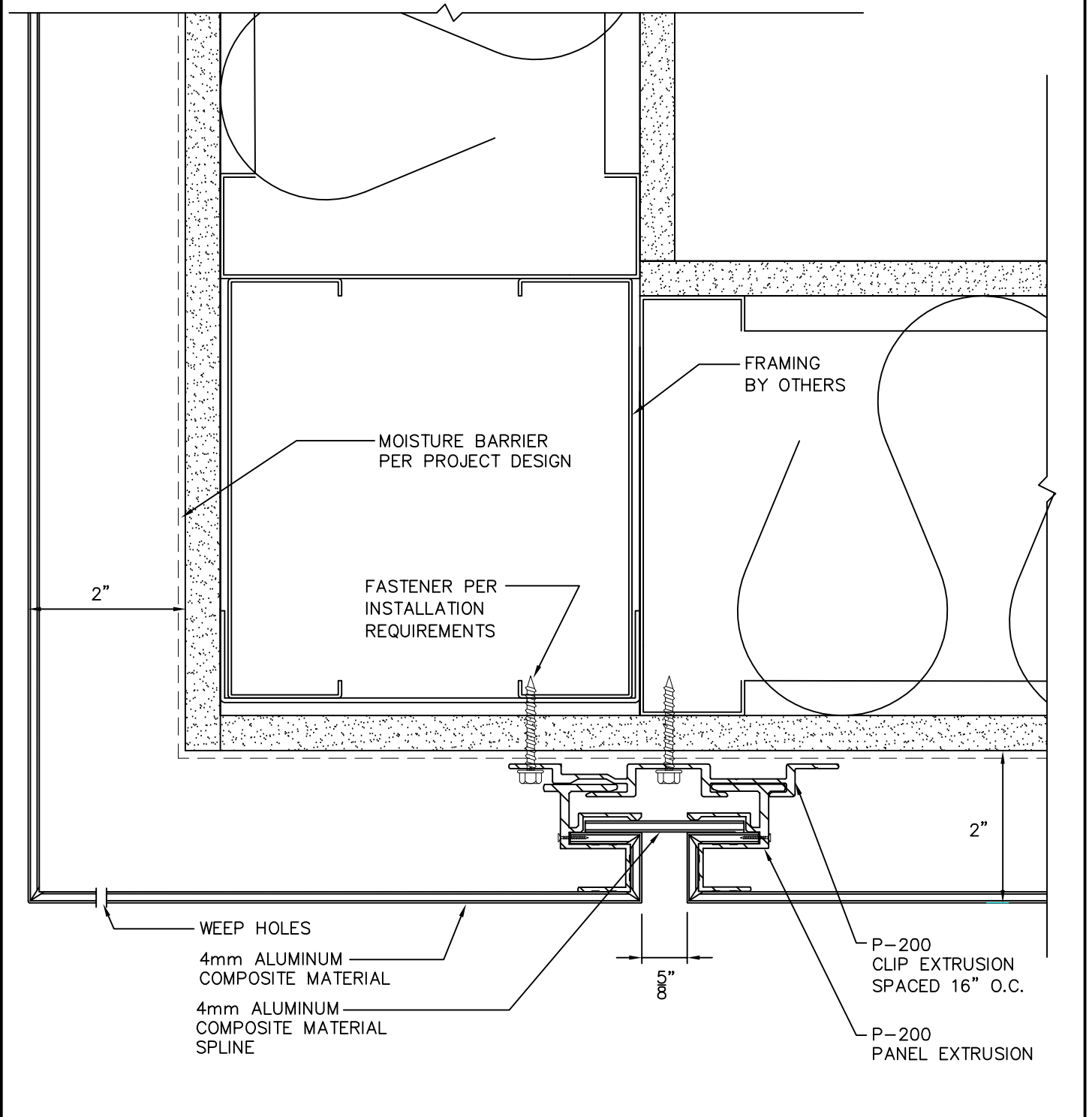
1/2"



# Pacific Panel Systems

P.O. Box 2170  
Fairview, Or 97024  
office: 503-667-0650  
fax: 503-296-2441  
info@pacificpanelsystems.com

D-10  
SOFFIT



# Pacific Panel Systems

P.O. Box 2170

Fairview, Or 97024

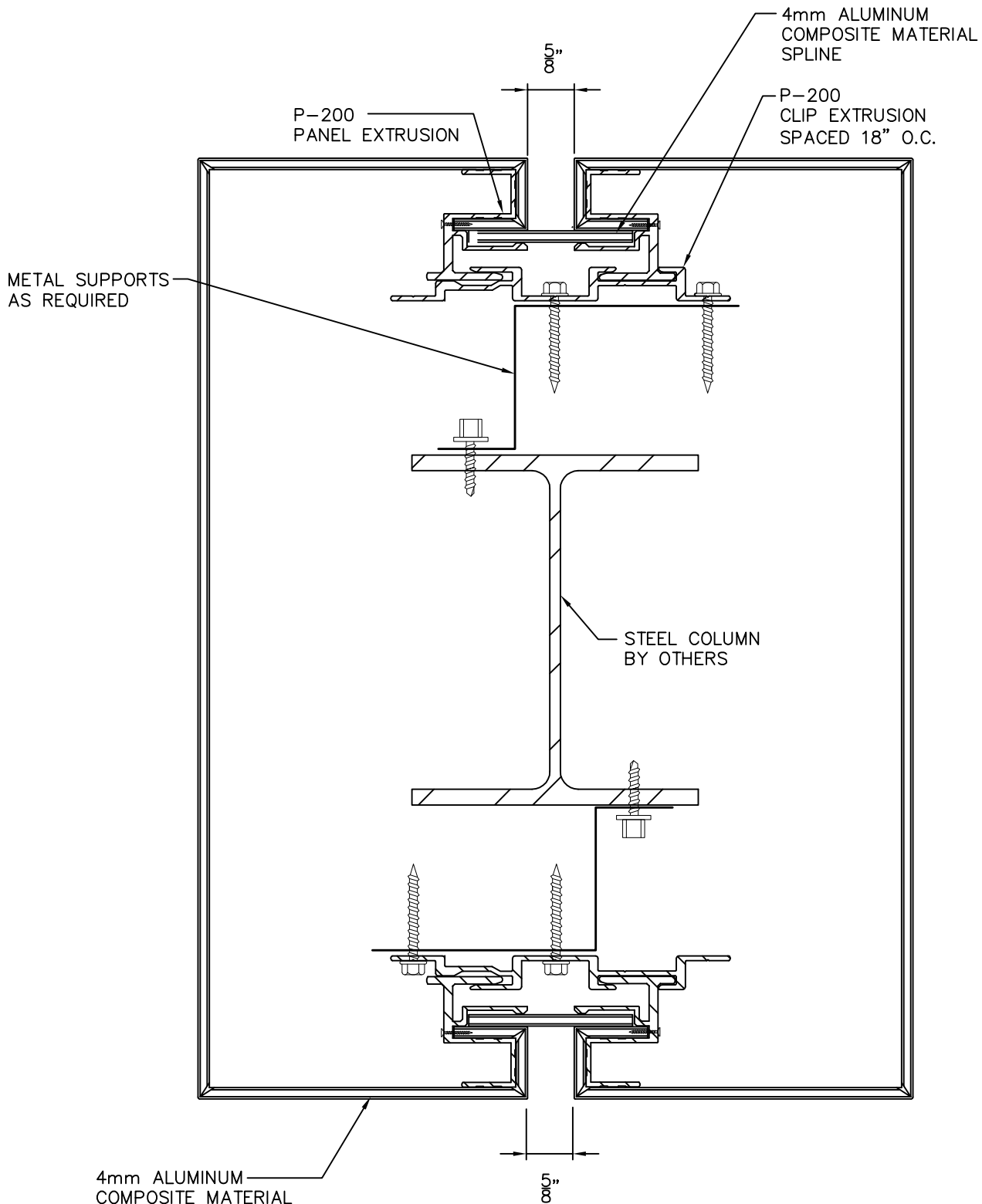
office: 503-667-0650

fax: 503-296-2441

info@pacificpanelsystems.com

D-11

## RECTANGULAR COLUMN COVER

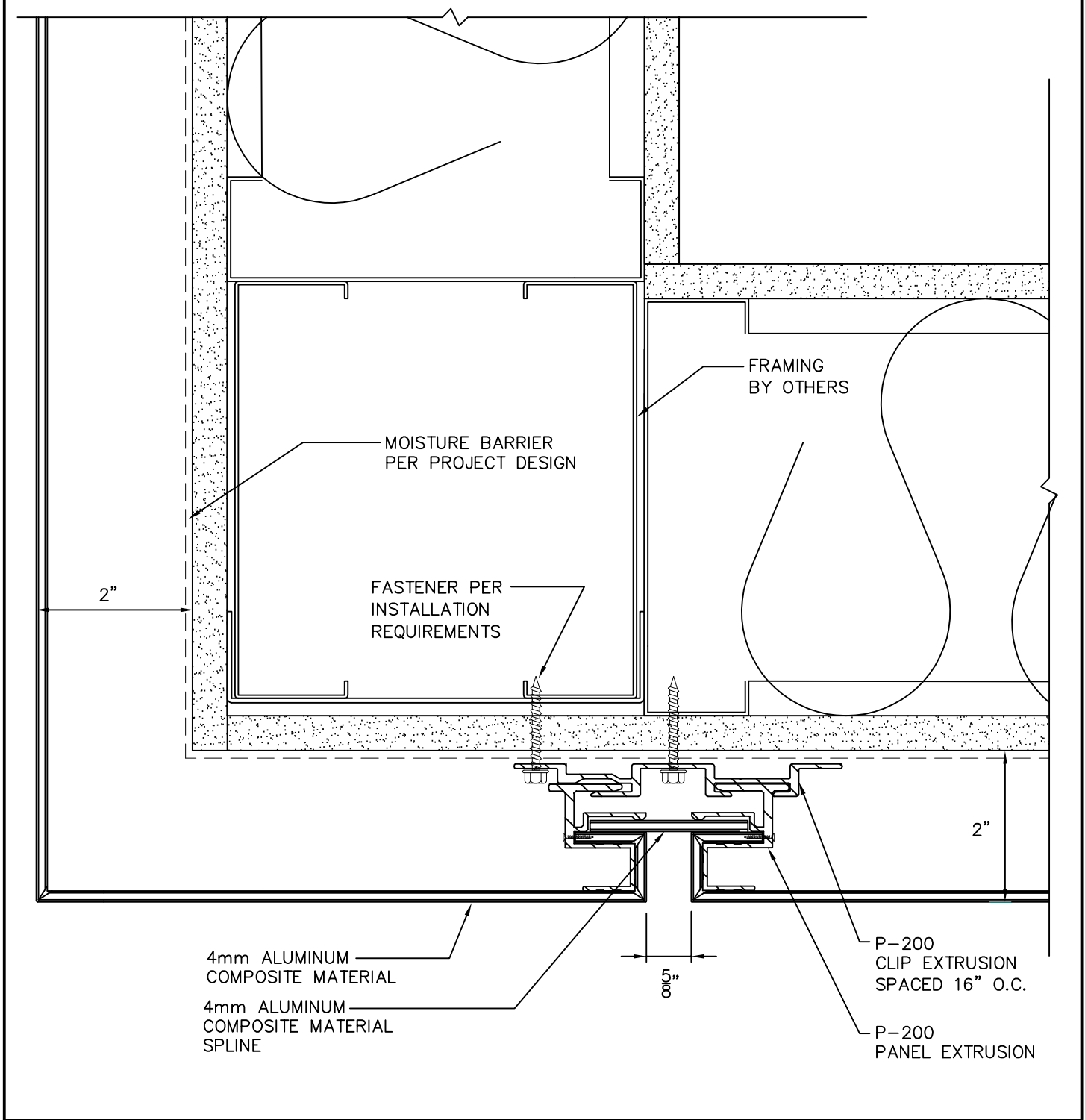


# Pacific Panel Systems

P.O. Box 2170  
Fairview, Or 97024  
office: 503-667-0650  
fax: 503-296-2441  
info@pacificpanelsystems.com

D-12

OUTSIDE CORNER



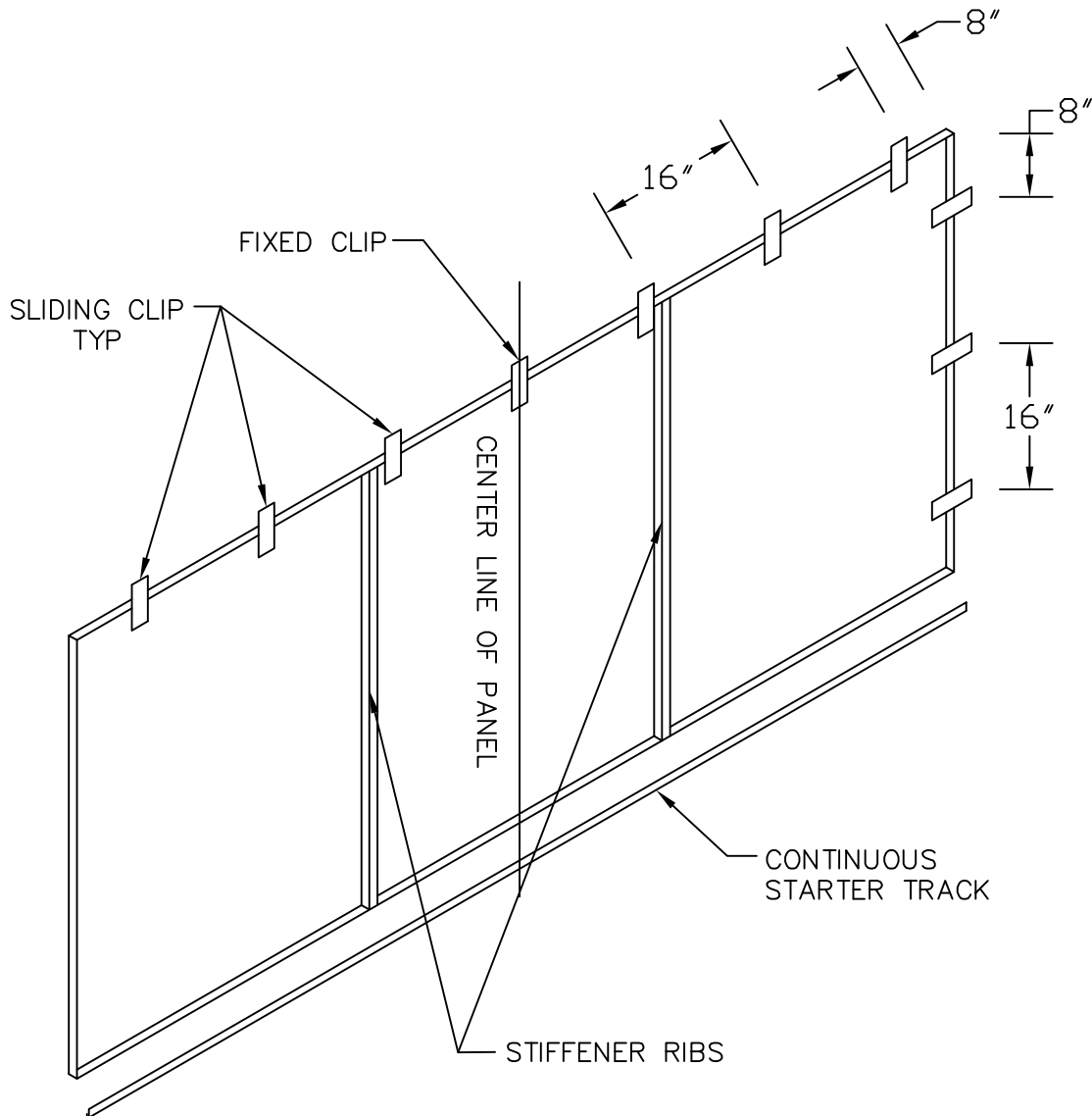


# Pacific Panel Systems

P.O. Box 2170  
Fairview, Or 97024  
office: 503-667-0650  
fax: 503-296-2441  
info@pacificpanelsystems.com

D-13

## TYPICAL PANEL ASSEMBLY



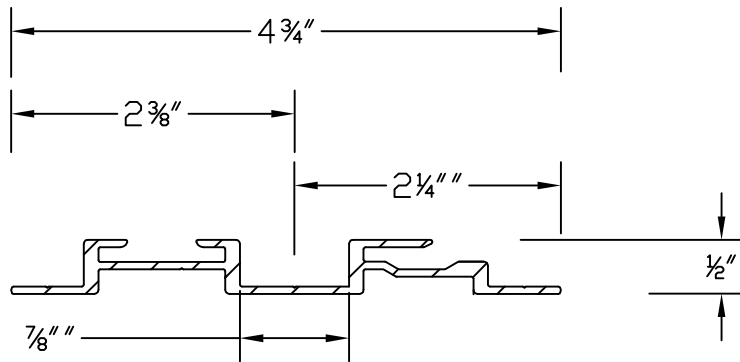
# Pacific Panel Systems

P.O. Box 2170  
Fairview, Or 97024  
office: 503-667-0650  
fax: 503-296-2441  
info@pacificpanelsystems.com

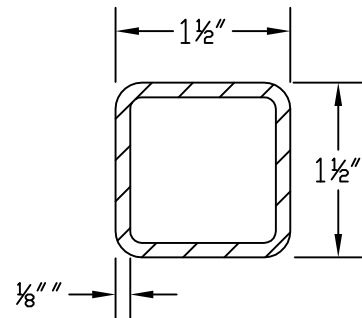
D-14

## STANDARD COMPONENTS

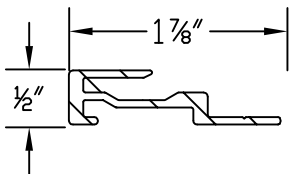
Perimeter extrusions  
Material: 6063 Alum



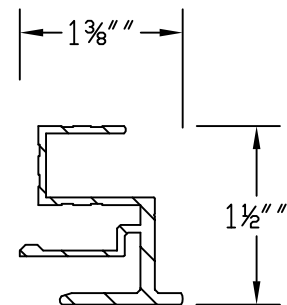
Clip Extrusion  
Material: 6063 Alum



Starter Clip  
Material: 6063 Alum



Perimeter Extrusion  
Material: 6063 Alum



# **Pacific Panel Systems**

**P.O. Box 2170**

**Fairview, Or 97024**

**office: 503-667-0650**

**fax: 503-296-2441**

**[info@pacificpanelsystems.com](mailto:info@pacificpanelsystems.com)**